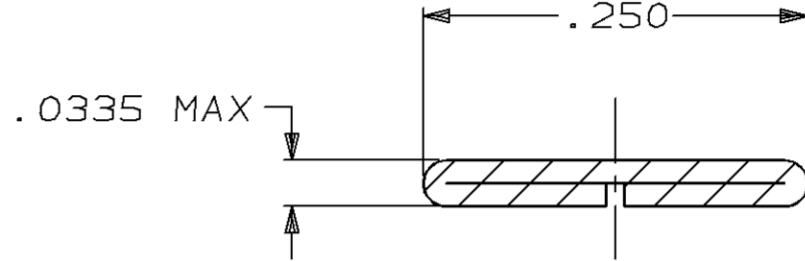
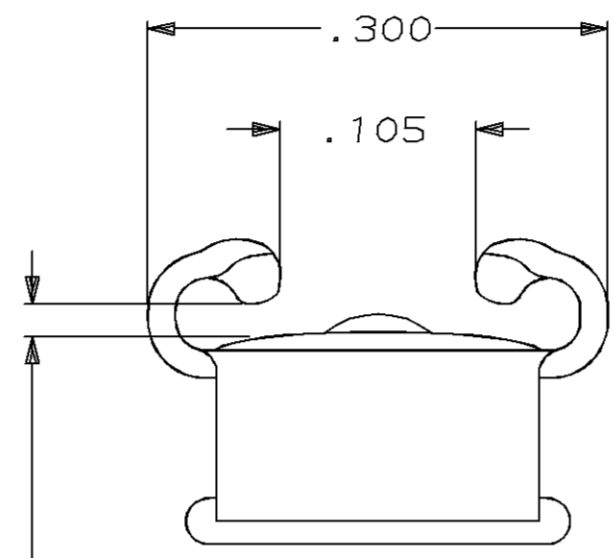
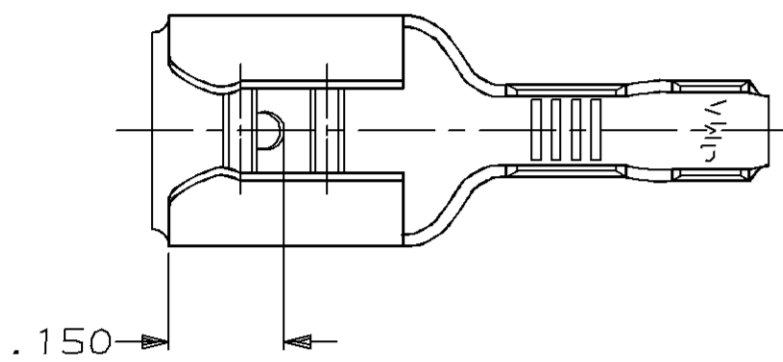


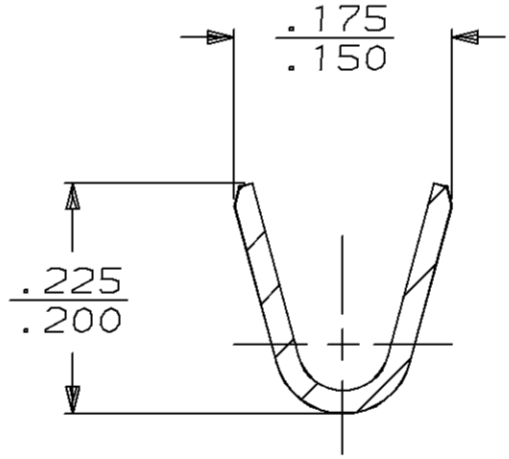
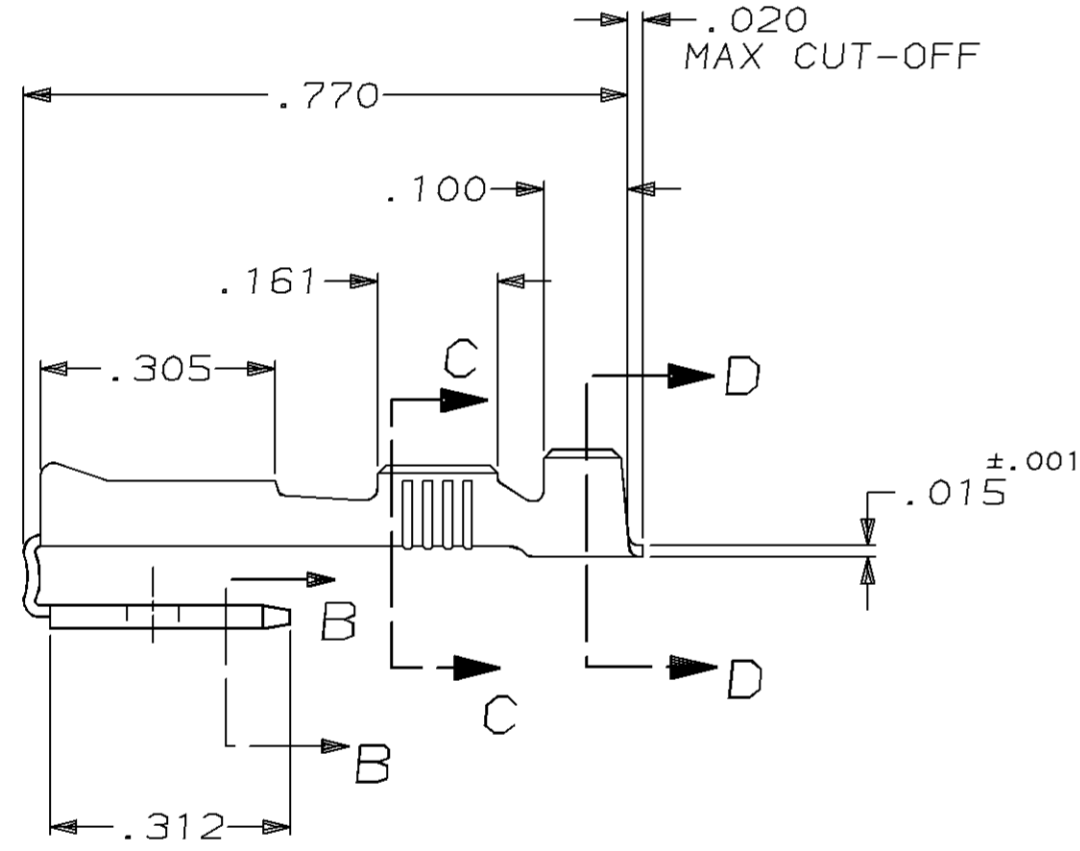
LOC		DIST		P		F		ZONE		LTR		REVISIONS		DATE	APPD
AF	50											0	DRAWN	12/8/94	JR/CM

1 SUPPLIED IN LOOSE PIECE

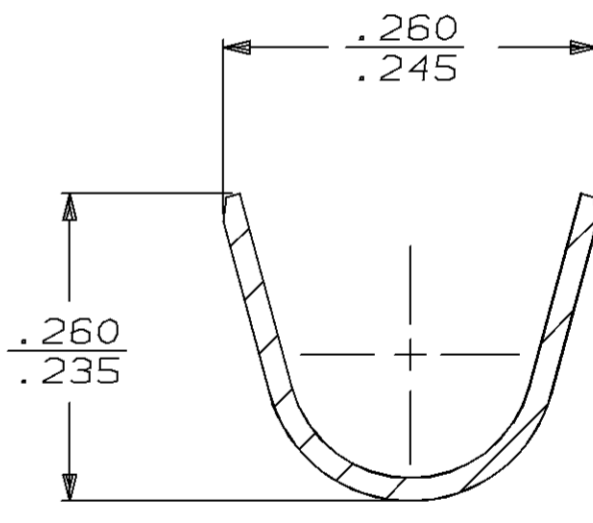


SECTION B-B
SCALE 8:1

FITS .250 SERIES
FASTON TAB
VIEW A-A
SCALE 8:1



SECTION C-C
SCALE 8:1



SECTION D-D
SCALE 8:1

62049-2	#4H BRASS	.150-.200	14-10	.032	62090-1
STRIP	MATERIAL	INSULATION RANGE	WIRE SIZE	MATING TAB THK ±.001	PART NO
DO NOT SCALE PRINT. UNLESS SPECIFIED DIMENSIONS ARE IN INCHES TOLERANCES ON : 2 PLC DEC ± - 3 PLC DEC ± .015 ANGLES ± -		DR 12/8/94 JR RUTH CHK 12/8/94 MS FEHER APPD 12/8/94 P DESANTIS		AMP INCORPORATED Harrisburg, Pa. 17105 NAME RECEPTACLE, FASTON, PIGGYBACK, .250 SERIES	
MATERIAL SEE TABLE		APPD 12/8/94 R REINER PRODUCT SPEC -			
FINISH TIN		APPLICATION SPEC -		SIZE C	CAGE CODE 00779
		WEIGHT -		DRAWING NO 62090	SHEET 1 OF 1